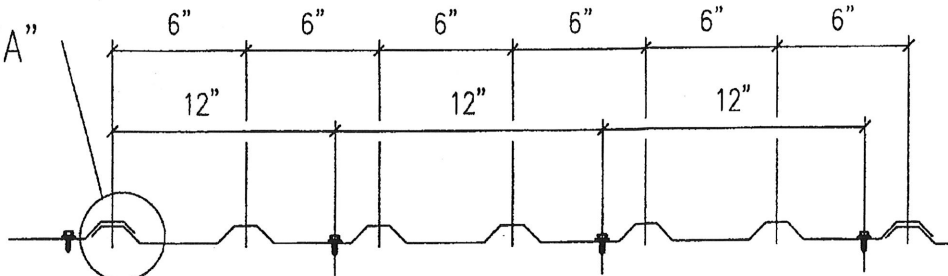
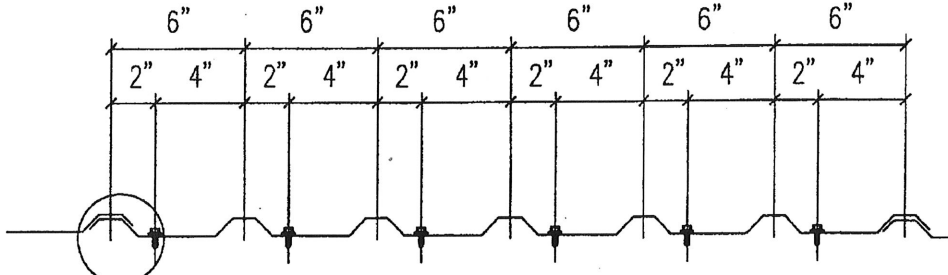


DETAIL "A"

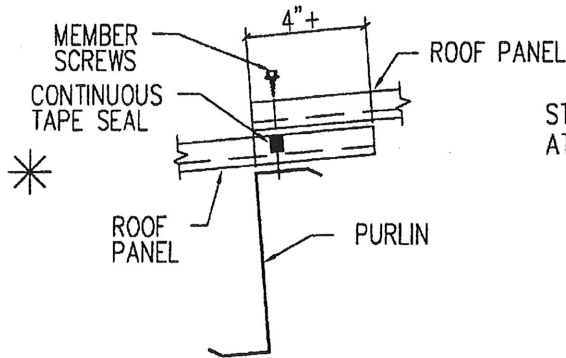


PANEL FASTENER LOCATIONS  
(ALL MEMBERS EXCEPT AS NOTED)

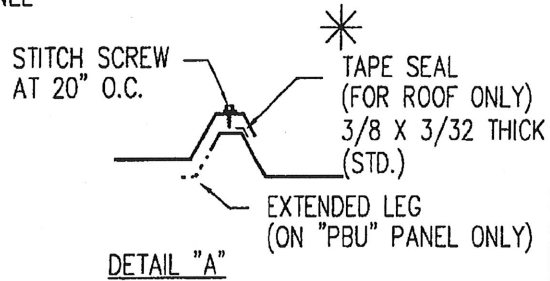
DETAIL "A"



PANEL FASTENER LOCATIONS  
(EAVE MEMBER, PEAK MEMBER AND PANEL END LAPS)



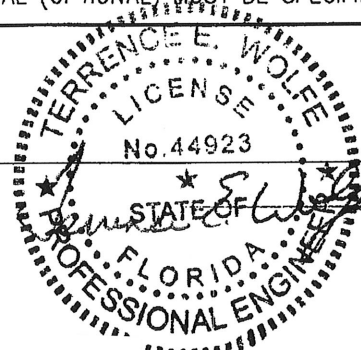
SECTION THRU PANEL END LAPS



**FASTENER LOCATION "U" AND "PBU" PANEL AT ROOF**

\* 1" WIDE X 3/32 TAPE SEAL (OPTIONAL) MUST BE SPECIFIED ON THE WORK ORDER

REV. DATE: 4-16-07 RES.



DRAWING NO.

**D2A**

State of Florida  
C.O.A.  
# 28776

**AUG 01 2012**